

LIST OF PARTS



SINGER MACHINE No. 11

THE SINGER MANUFACTURING COMPANY

**A Trade Mark of THE SINGER MANUFACTURING COMPANY

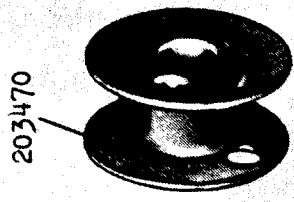
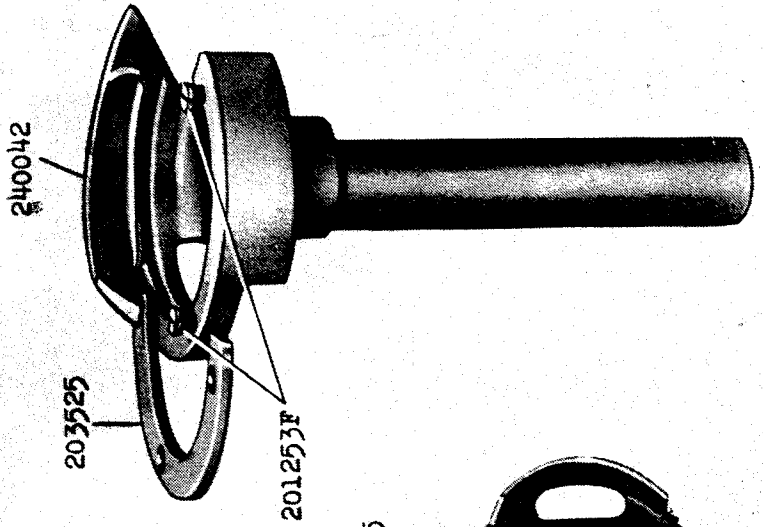
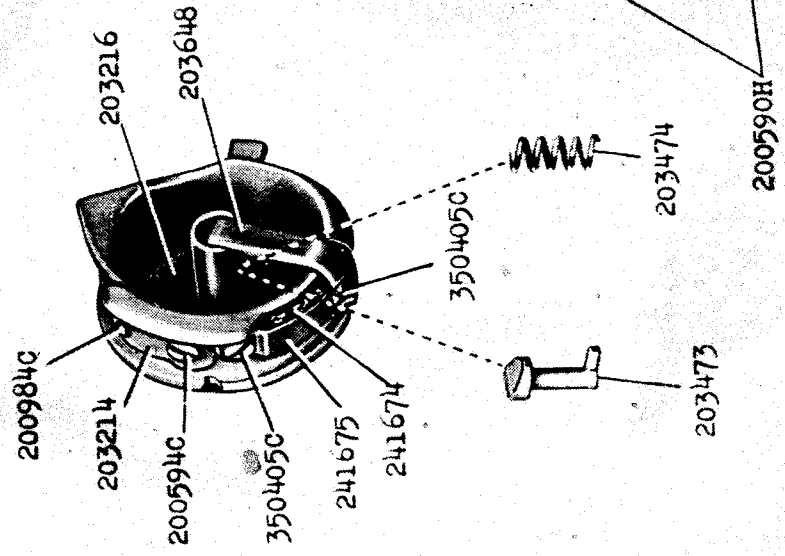
OIL - OIL - OIL + GREENS THAT MOST BO DOW
 CHANGE NEEDLES - OFTEN VERY OFTEN
 3. CLEAN MACH -
 4 CLEAN OUTS AND AFTER EVERY JOB
 COMPLETION, FLUSH OUT BOBBIN
 COMPLEX AND SOIL

ould be used
ines
r Containers
the
MANCO.**" 1

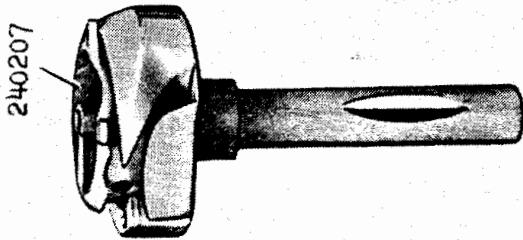
rs marked
CHINES"
ade needles. 2

240207

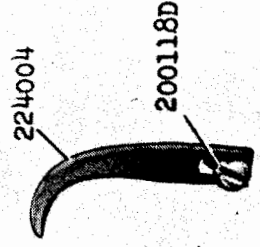
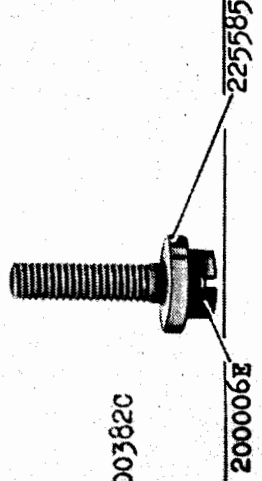
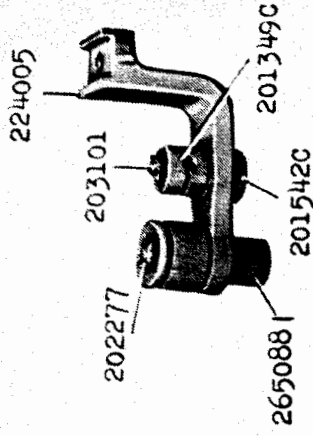
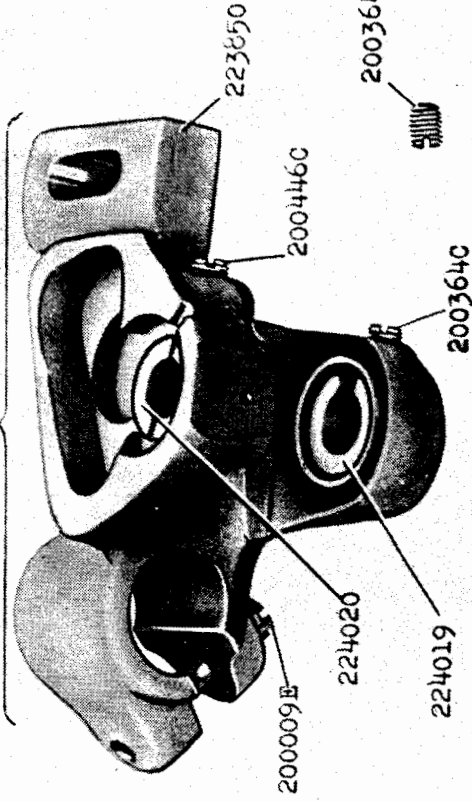
233765

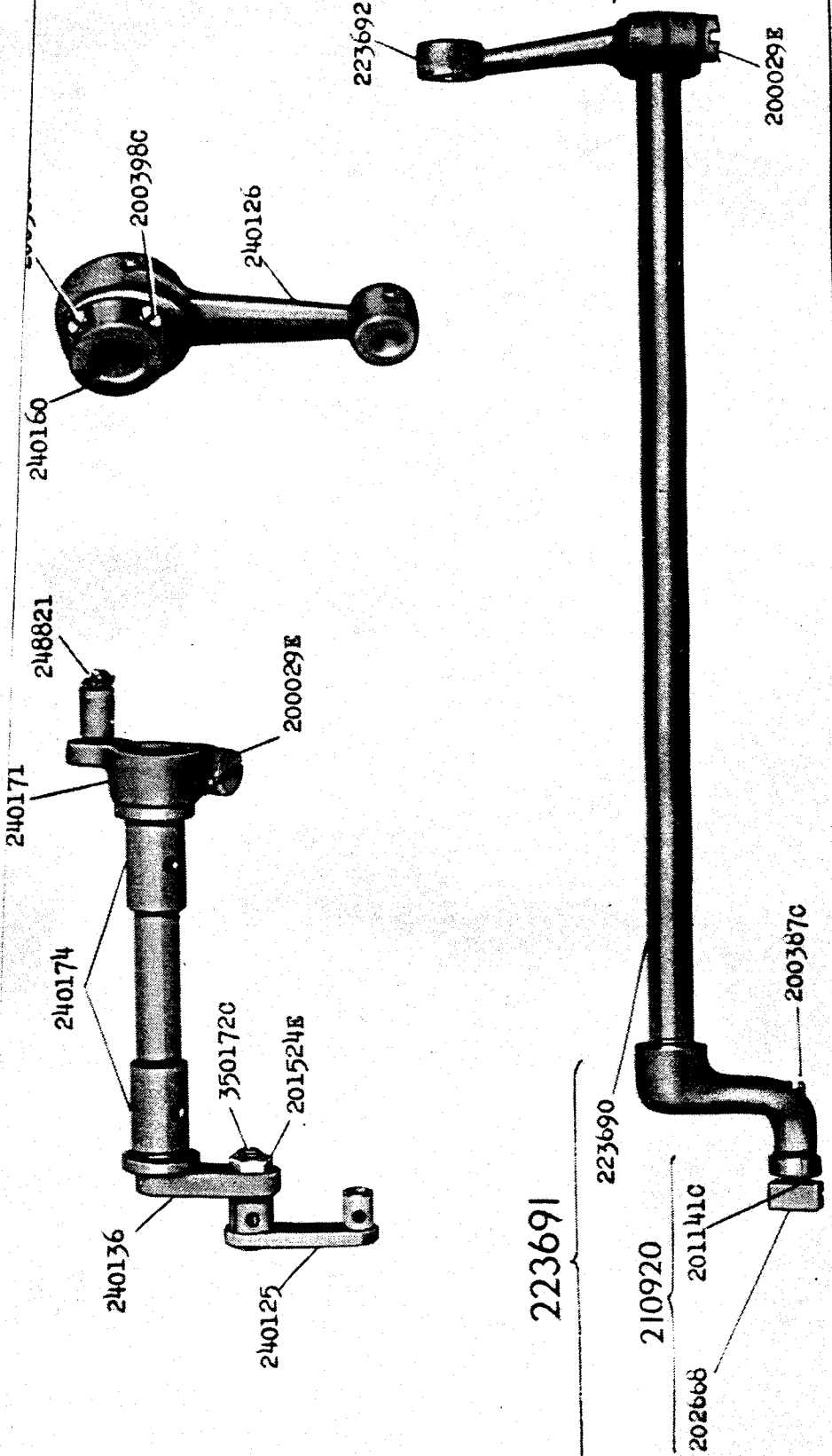


240177

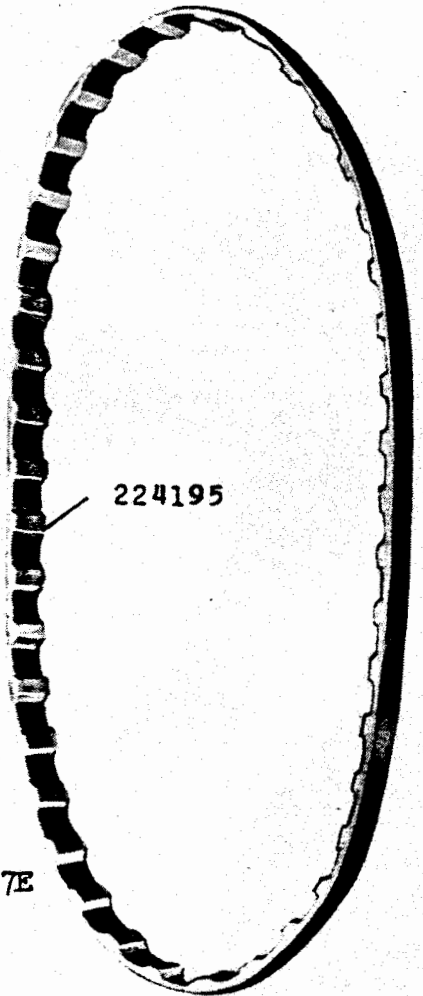
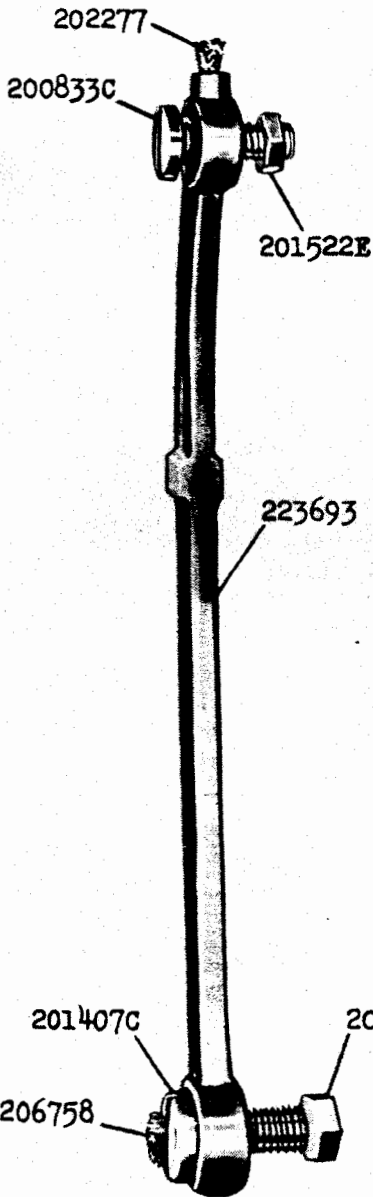
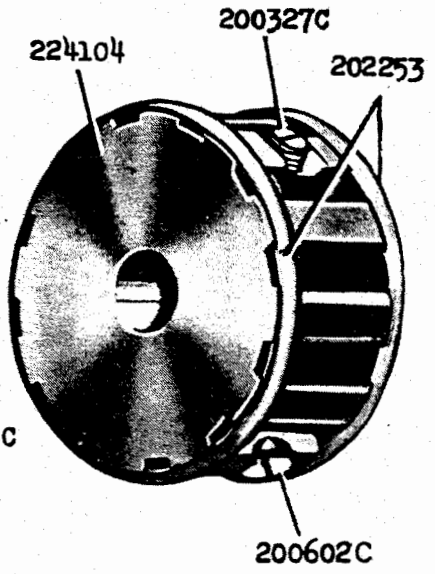
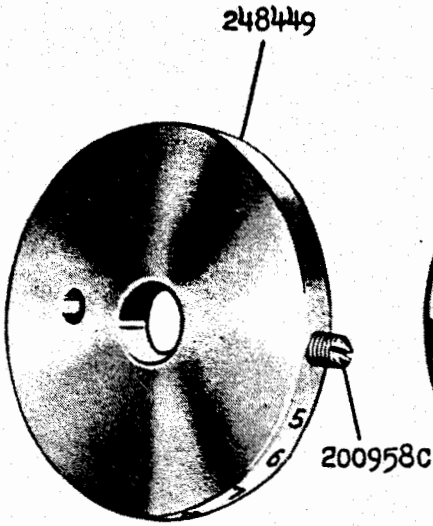


224024



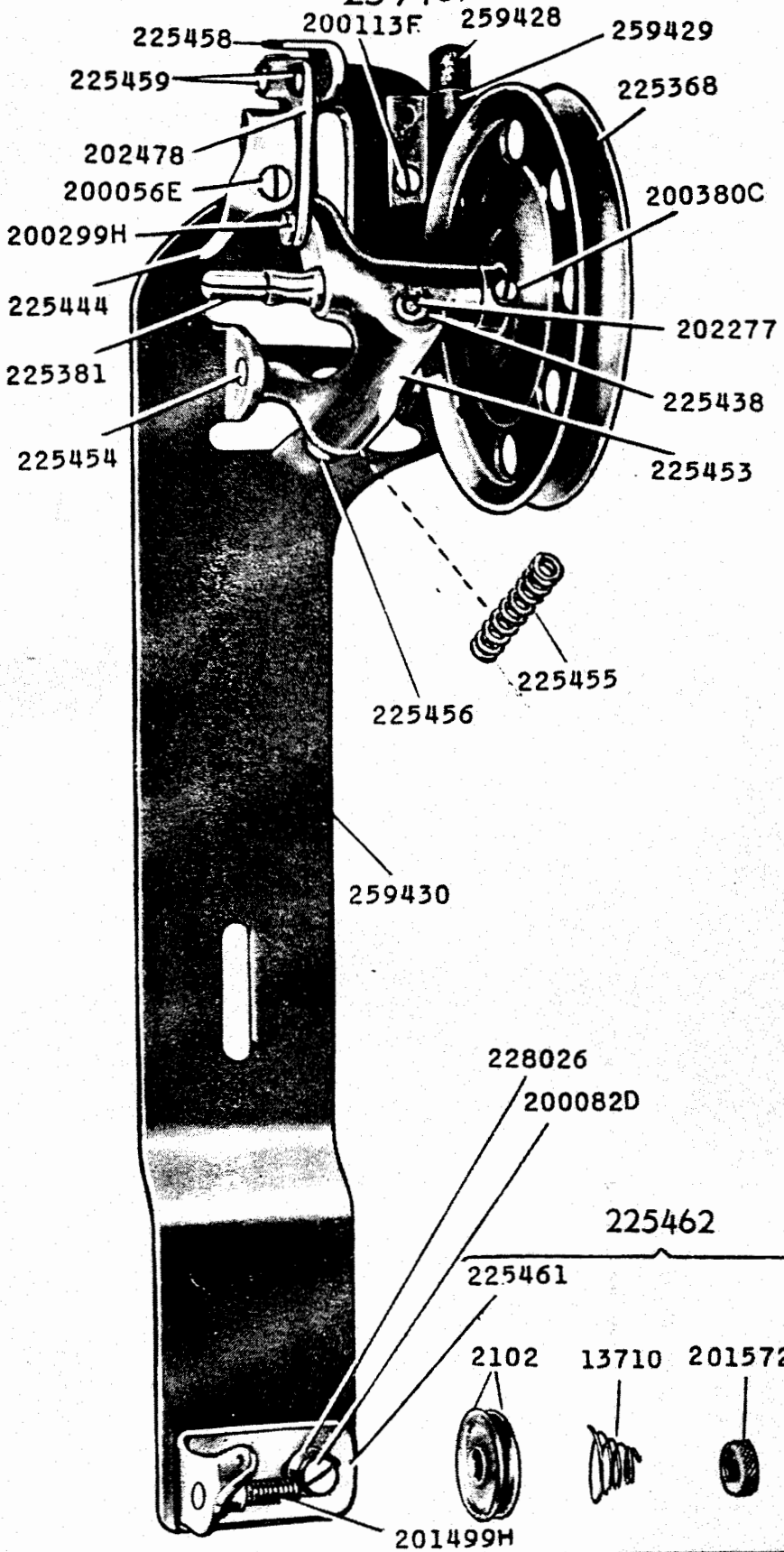


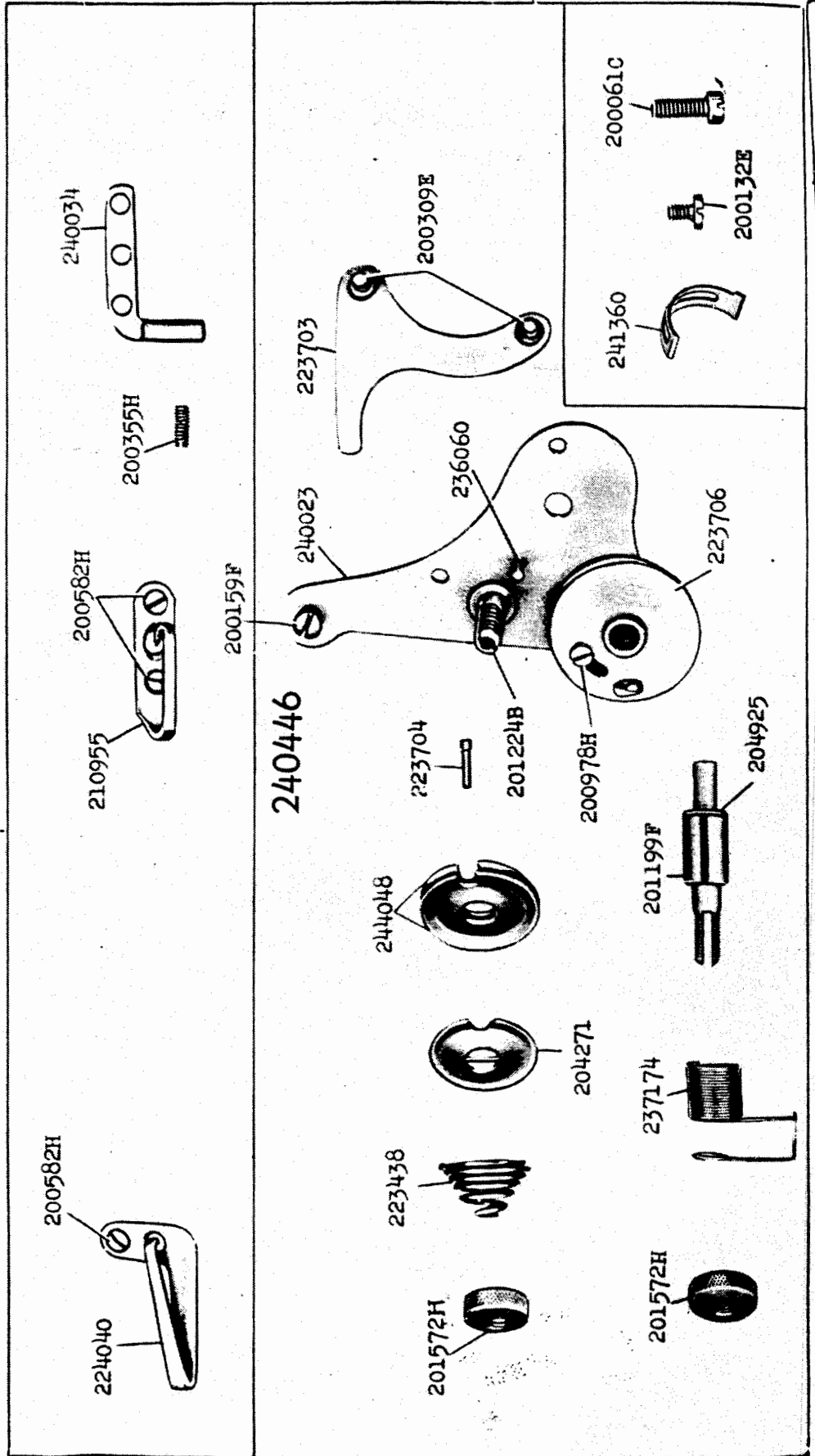
16604 - 3/8



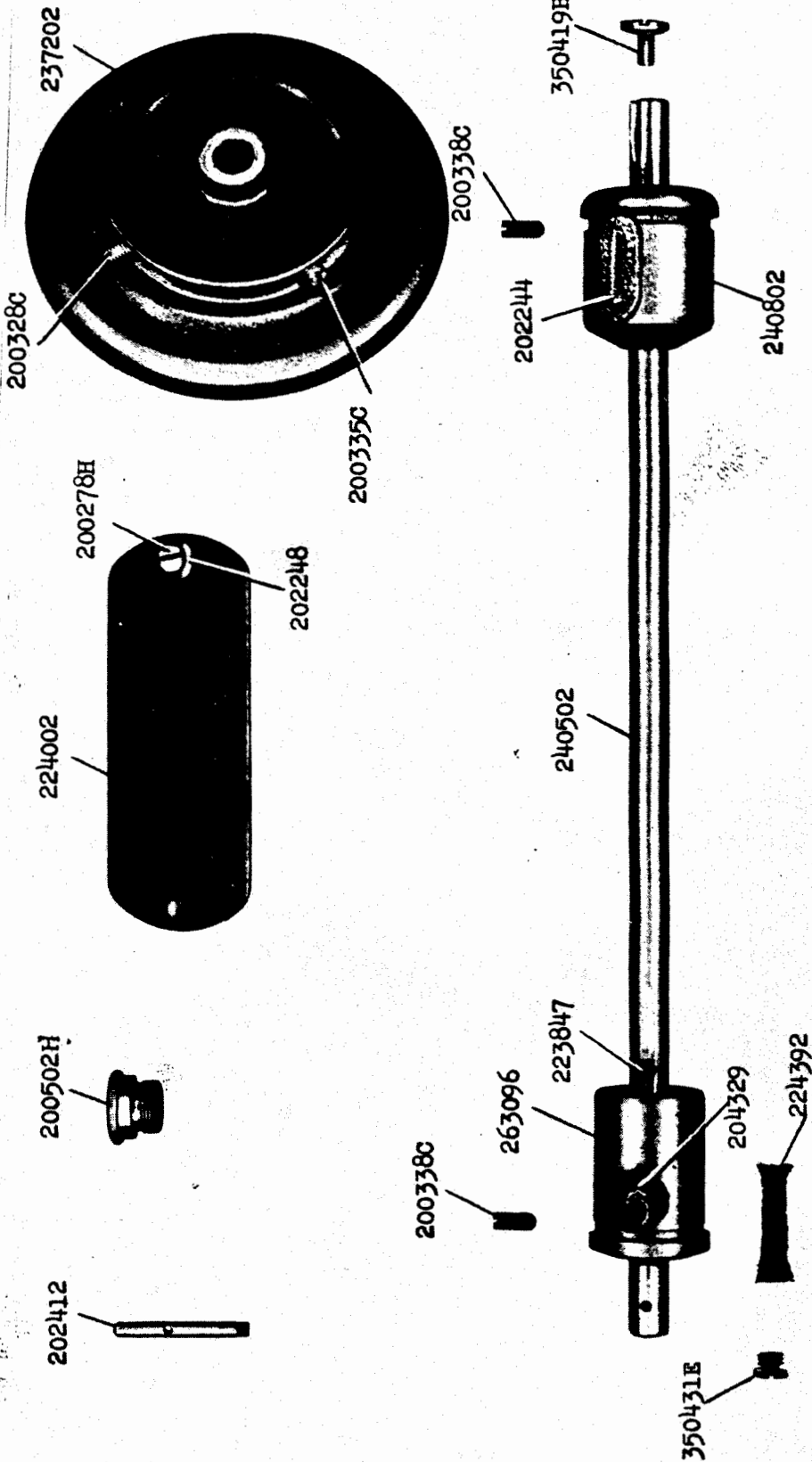
16615 - 1/2

259431

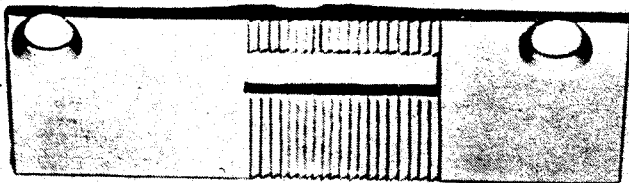




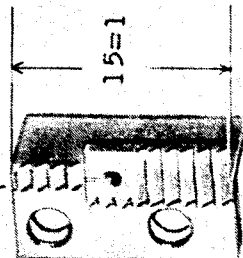
16624 - 3/8



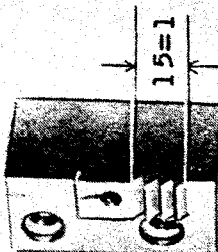
240146



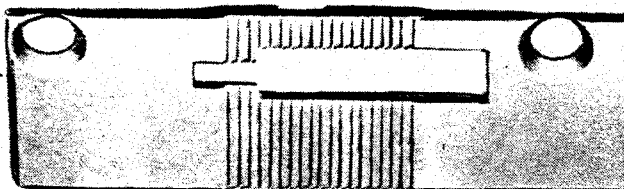
240115-50
240116-46
240117-40



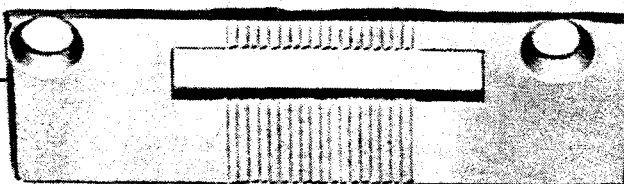
240119-40
240120-38



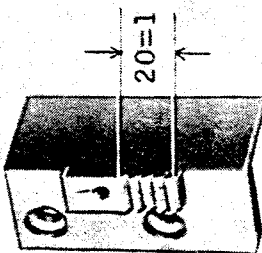
240145



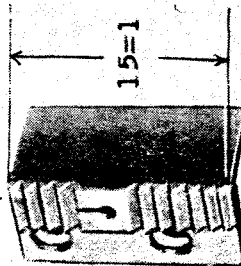
240144



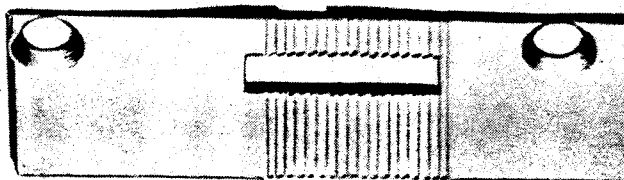
240118-46



240147-38
240112-40
240113-46
240114-50



240143



240135



240158-40



240134



240157-40



240133



240153-40



240132



240156-46



240130



240154-40

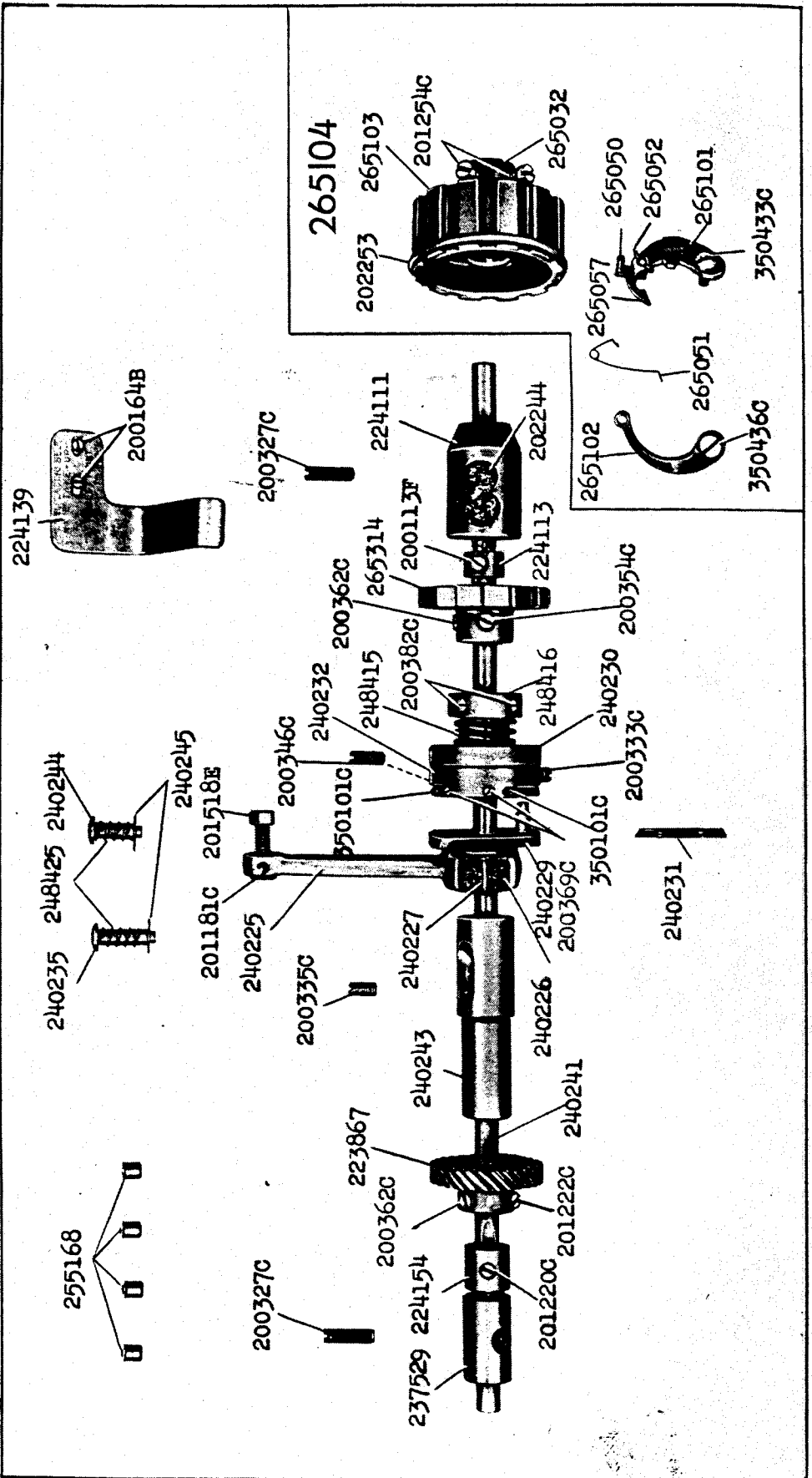


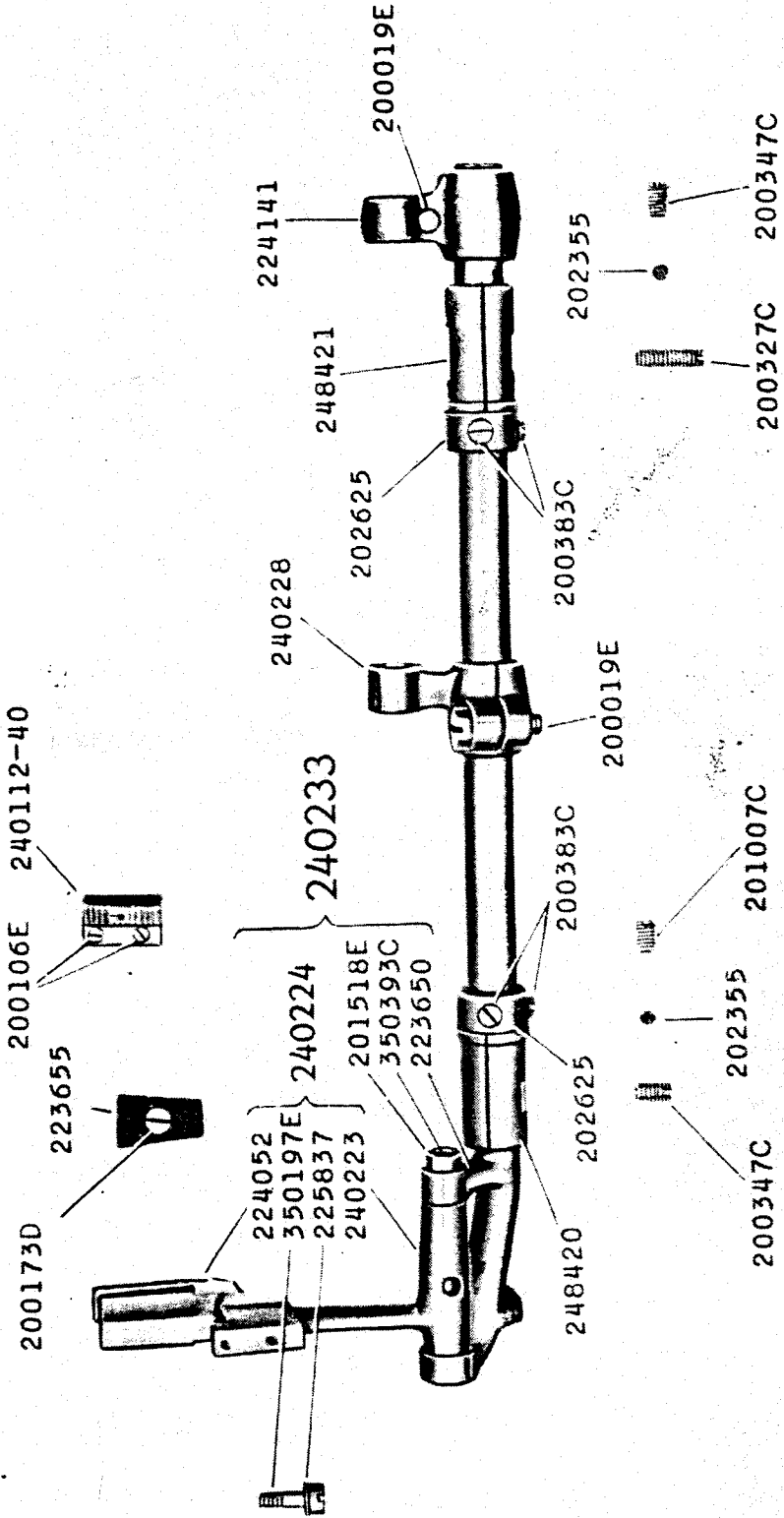
240128

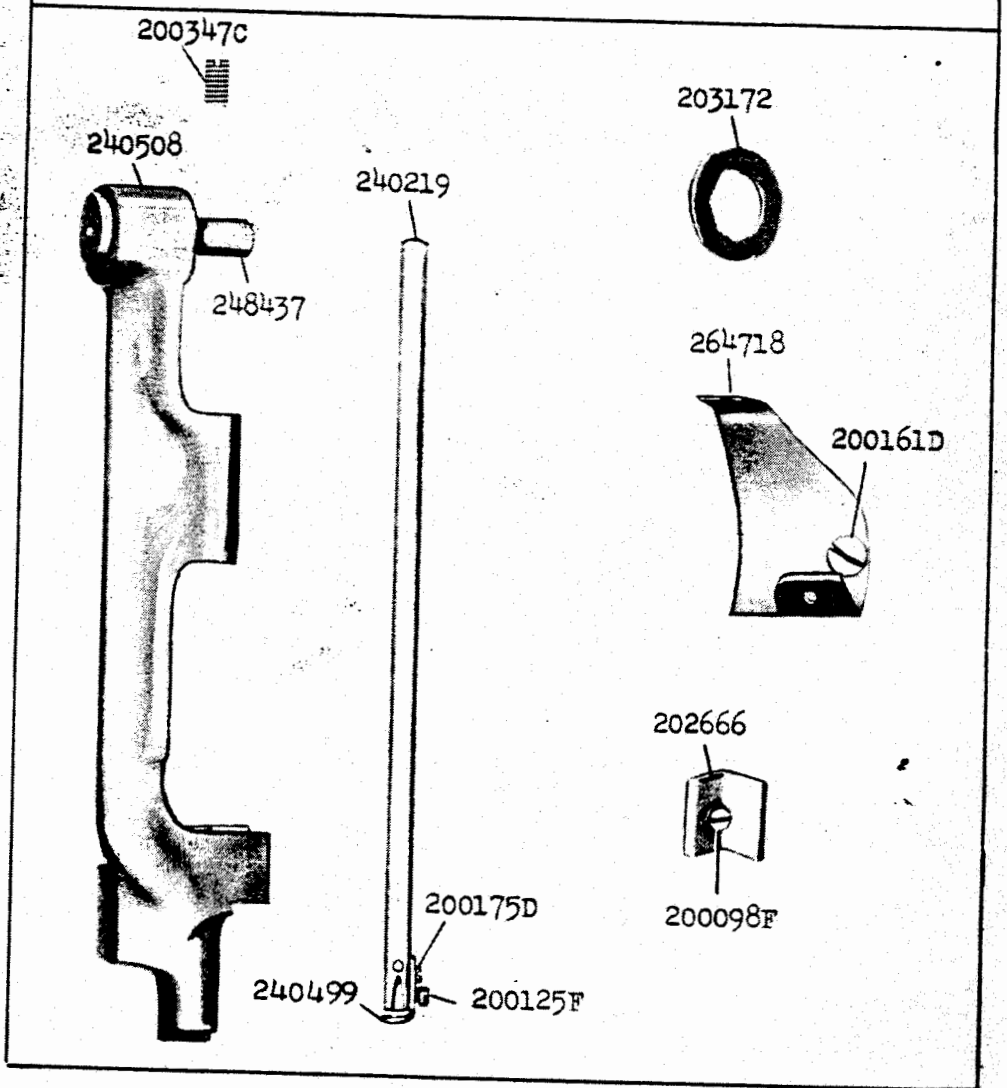
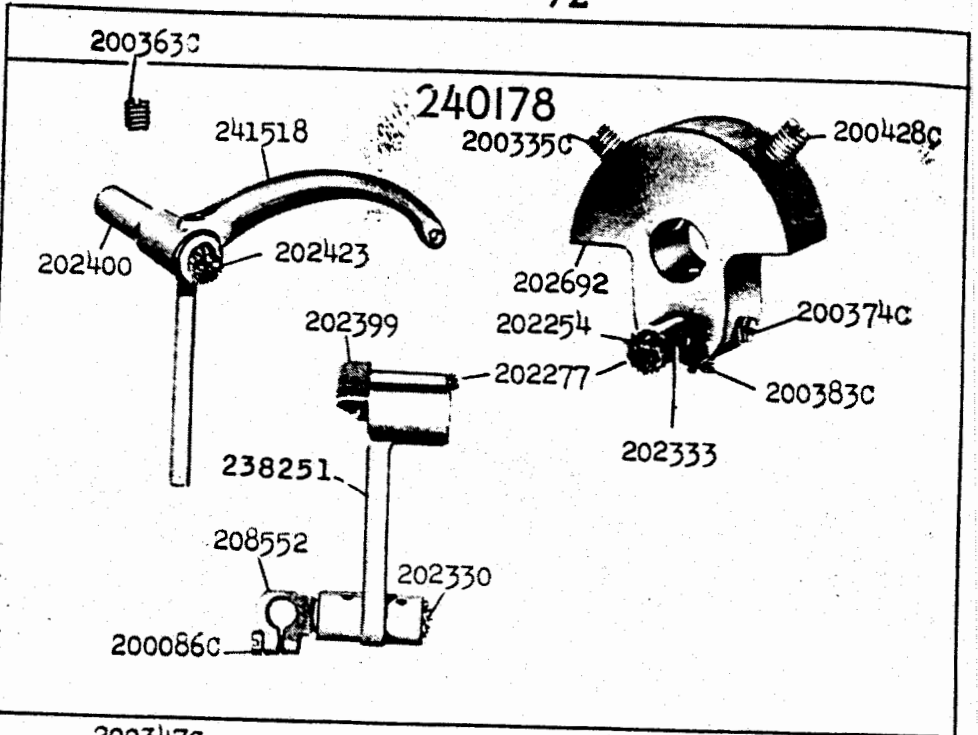


240150-38
240151-50
240152-46

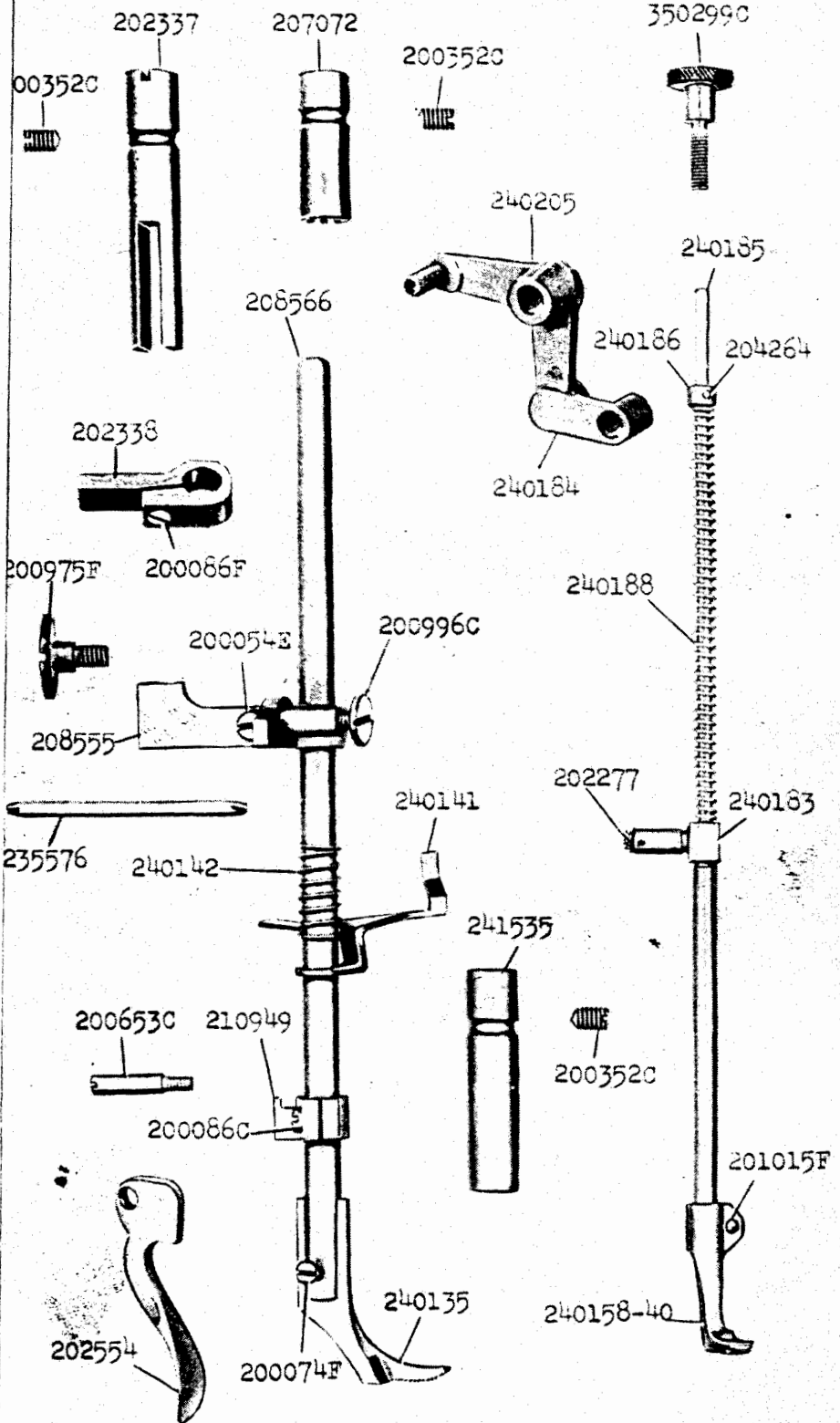


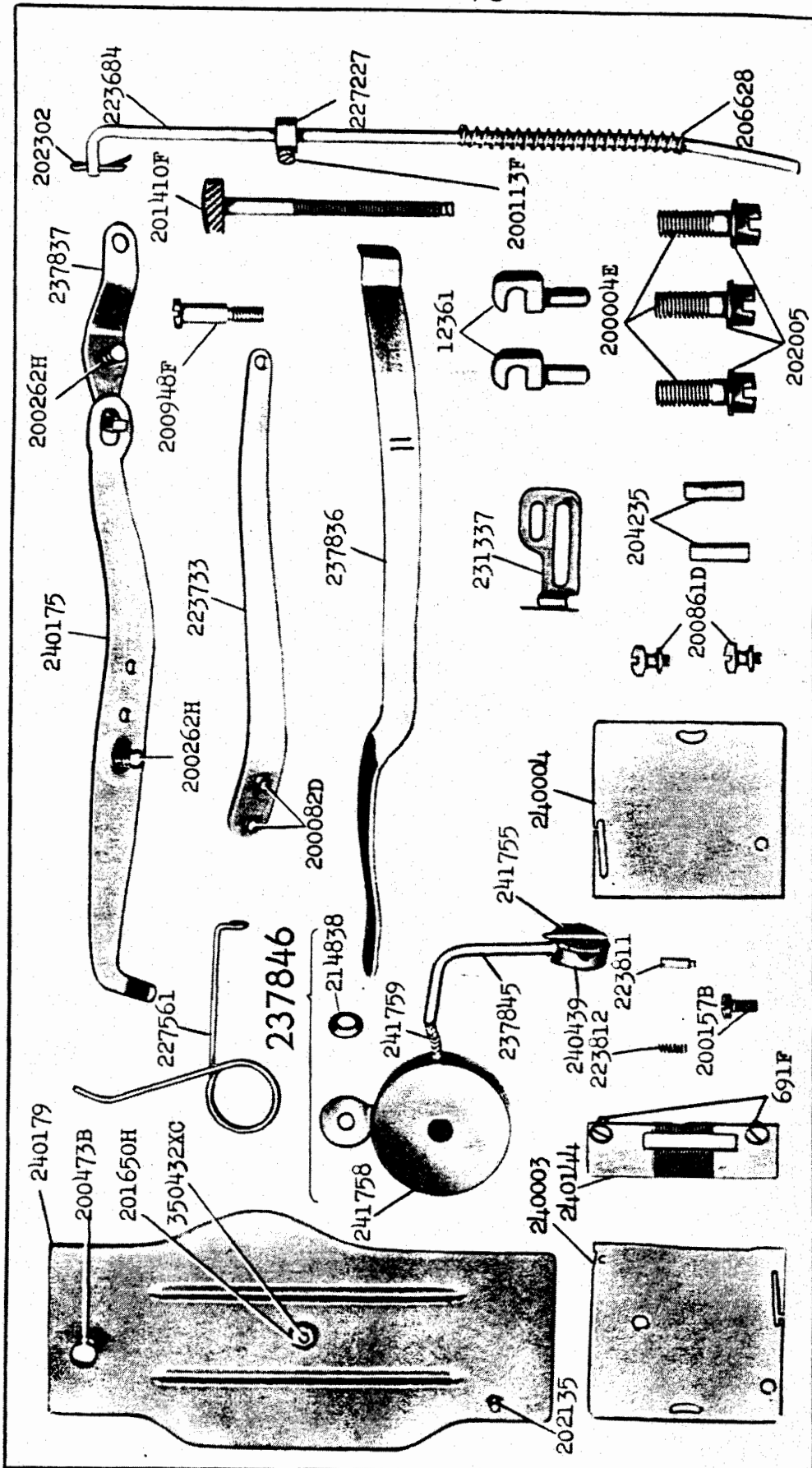




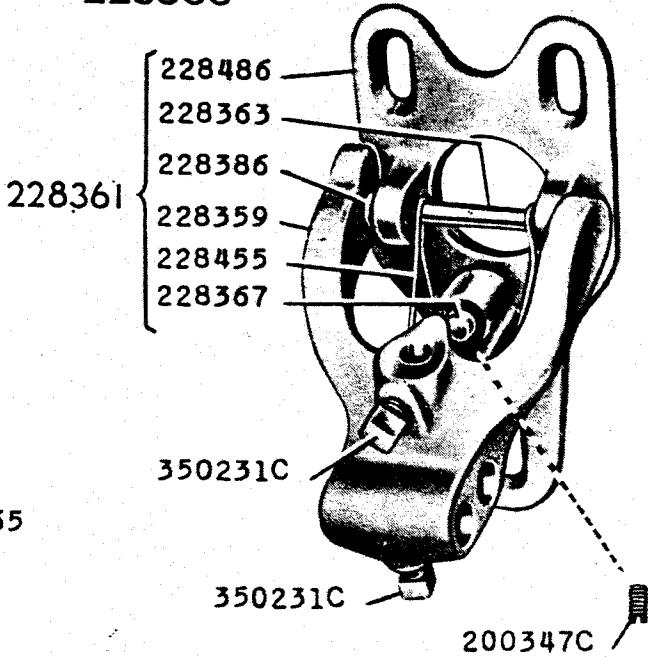


16637 - 1/2

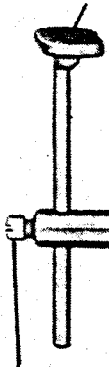




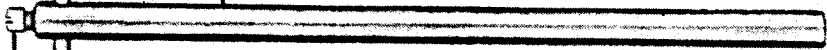
228368



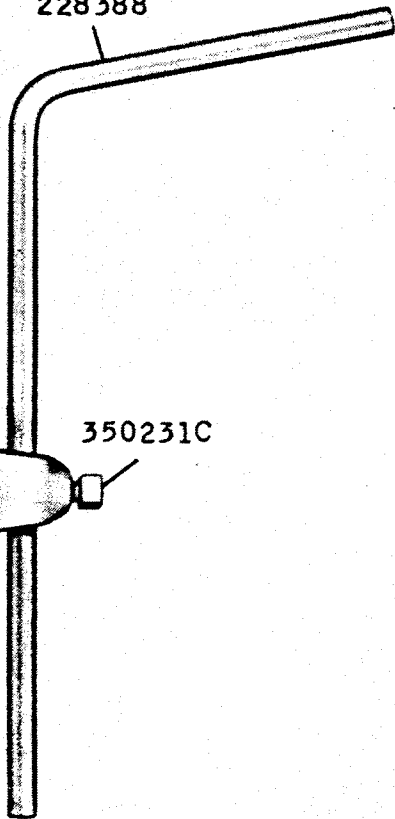
228365



228362

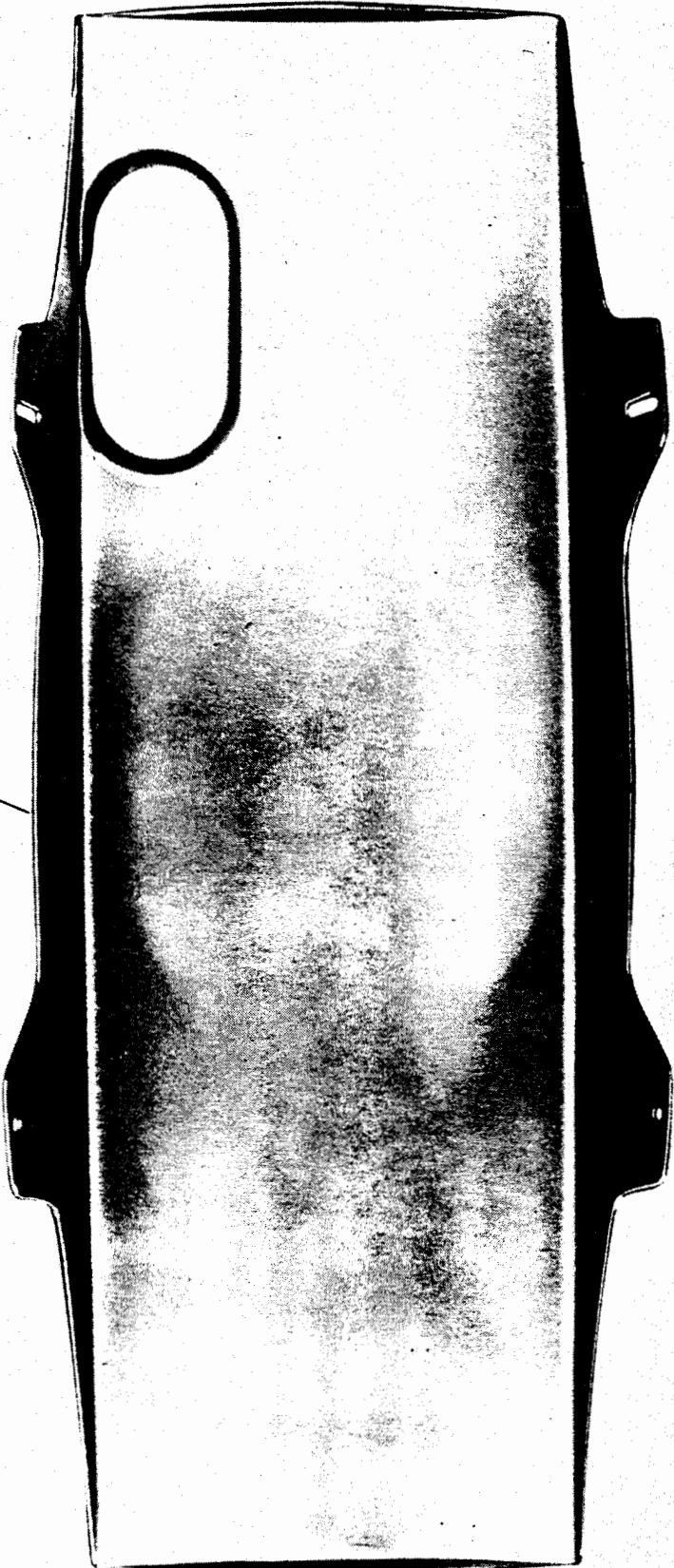


228388



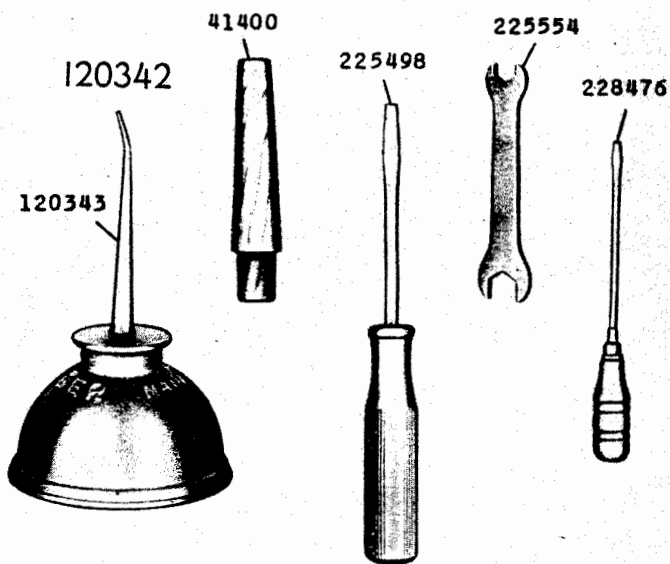
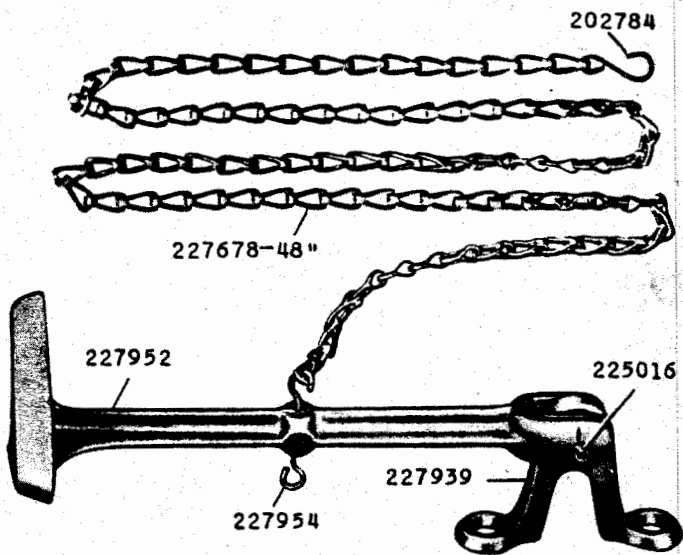
16644 - 1/3

224121



17620 - 1/3

227955



17900 - 1/6

